

Green X™ 21

The Ultimate Freedom in 3D Imaging

vatech

See More. Plan Safer.

Green X 21 is a **6-in-1 imaging** solution with **FOV up to 21×19 cm** designed for confident diagnosis and predictable treatment planning. With an industry-leading **warranty of up to 10 years** on all parts, it delivers exceptional reliability and long-term value.

Whether you are planning implants, orthodontic treatments, **endodontic** procedures, or complex surgical cases, you get premium image quality, flexibility, and **AI-powered tools** needed to make informed clinical decisions and deliver exceptional patient care.



Endo Mode 49,5µm

visualize even the smallest anatomical structures



Multi-FOV Options

FOV options ranging from 4×4 cm (Endo) to 21×19 cm



Smart Focus

You get up to 4 complete 3D data sets & Auto Pano



6 in 1 Digital Solution

Pano + CBCT + Ceph + Model scan + Face scan + ENT CT



Automatic AI Segmentation

Up to 135 anatomical structures automatically recognized



10 Years of Peace of Mind

Warranty covering all key components



The Right FOV for Every Patient

Every patient is different. That is why Green X 21 offers a **wide range of selectable Fields of View**, from focused endodontic imaging to comprehensive craniofacial scans. You can select exactly the volume you need while minimizing radiation exposure and maximizing diagnostic efficiency.

Green X 21: The Ultimate Freedom in 3D Imaging

Choose the Right FOV



for Every Clinical Situation

Depending on the treatment purpose, it is possible to select from **8 types of Multi-FOV or Smart Focus functions.**



Endo
4 x 4 | 5 x 5

Single tooth /
single site
Special 4x4
program (Endo),
49.5 µm

3D endodontics
Periodontology
Third molars
Supernumerary
teeth



FOV
8 x 5 | 8 x 8

Single
quadrant
TMJ
(right or left)

Implantology
Computer-guided
implantology
Bilateral
assessment of third
molars
Orthodontics



FOV
12 x 5 | 12 x 9

Dual arch including
sinuses and
mandibular canals
TMJ (right or left)

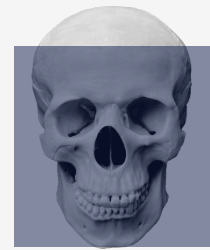
Implantology
Computer-guided
implantology
Maxillary sinus lift
Bone grafting



Smart Focus
12 x 9

With Green X you
will obtain
high-resolution
images of multiple
treatment areas
with a single scan

With a single scan,
you obtain 5
different high-
resolution images.
3 images 4x4, 1
image 12x9, and
one automatic
PANO image.



FOV
18 x 15 | 21 x 19

3D cephalometry
Visualization of
dental arches and
sinuses
Maxillofacial
surgery

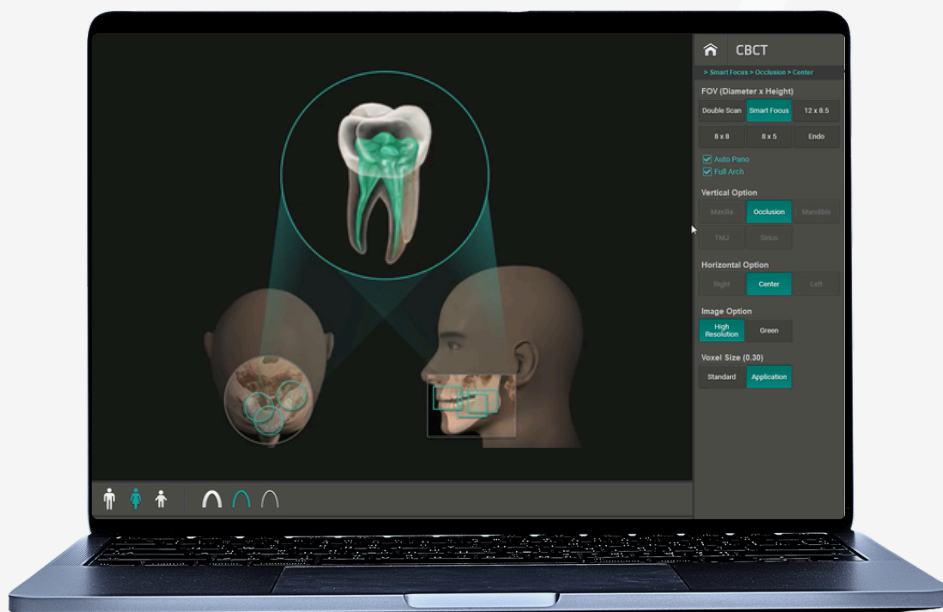
Orthognathic
assessment
3D cephalometry
Evaluation of the
sinuses up to the
frontal sinuses

Smart Focus.

Multiple Perspectives.

Smart Focus technology helps you make **the most of every CBCT acquisition.**

From a **single scan**, you can generate up to **four complete CBCT datasets and Auto Pano**, and instantly switch between diagnostic views based on your clinical needs. Whether you need a Full Arch overview or a focused Endo examination, you can access the information you need without additional scans. The result is a faster workflow, lower radiation exposure, and greater diagnostic flexibility.



One Scan.

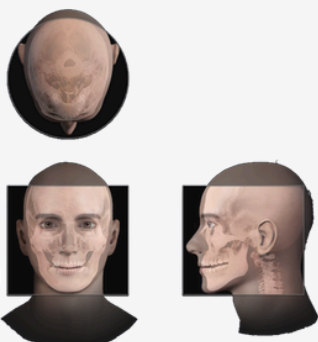


More Answers.

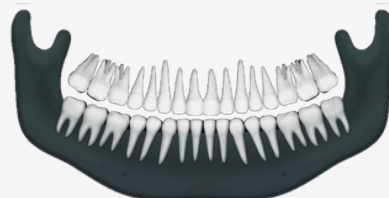
Why perform multiple acquisitions when one scan can provide more?

With a single CBCT scan, Green X 21 can **automatically generate additional diagnostic images**, including **Auto Pano and Auto Ceph**. You gain multiple diagnostic perspectives from one exposure, helping you streamline workflows, save time, and improve patient comfort.

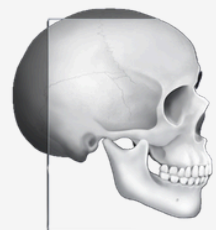
3D CBCT



Auto Pano



Auto Ceph



See Every Detail with AI Endo tools

With a dedicated **4×4 cm Endo mode** and an **ultra-high 49.5 μm voxel size**, you can visualize even the smallest anatomical structures with remarkable clarity.

AI-assisted Root Canal Drawing automatically identifies the canal pathway and provides **instant length and diameter measurements**. This helps you diagnose with confidence, simplify treatment planning, and achieve greater predictability in endodontic procedures.



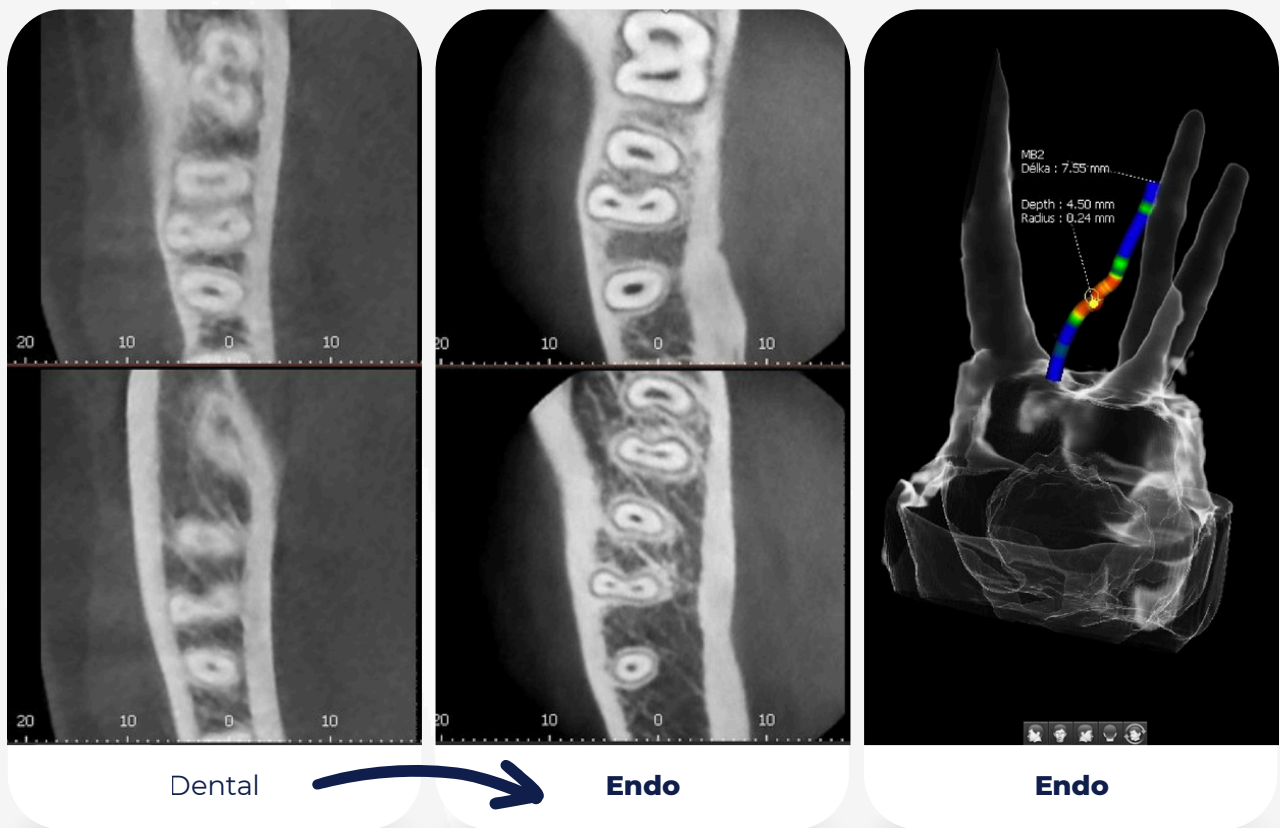
Endo Mode



vs. Dental Mode

Endodontic procedures require high precision to accurately locate and treat root canals.

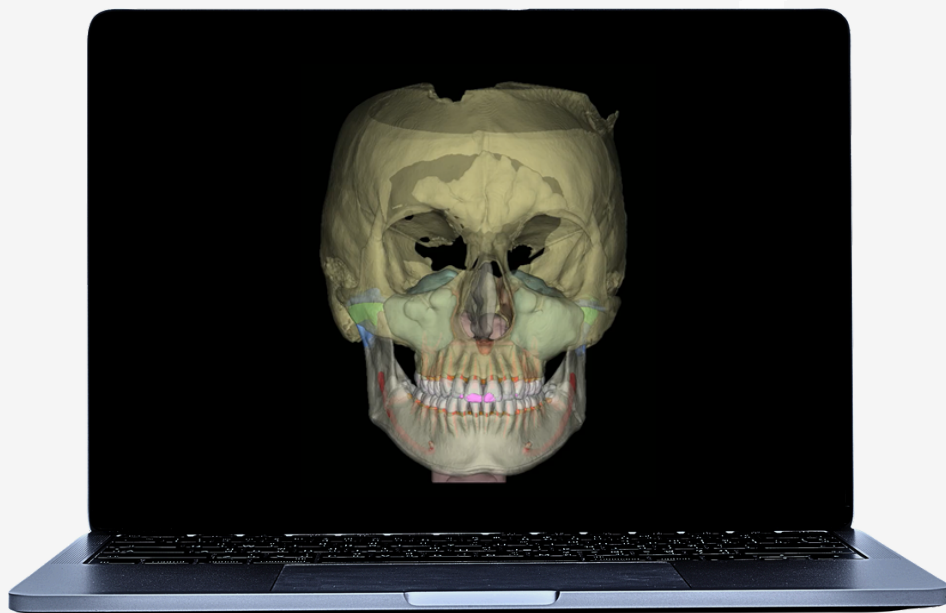
Vatech **Green X Endo Mode** provides advanced imaging capabilities, enabling **enhanced visualization** of root canal anatomy and potential abnormalities.



Use AI-powered tools to Work Smarter

AI is changing the way dental professionals diagnose, plan, and communicate treatment. With Ez3D-i, you can simplify complex workflows using intelligent **tools designed to save time and improve accuracy.**

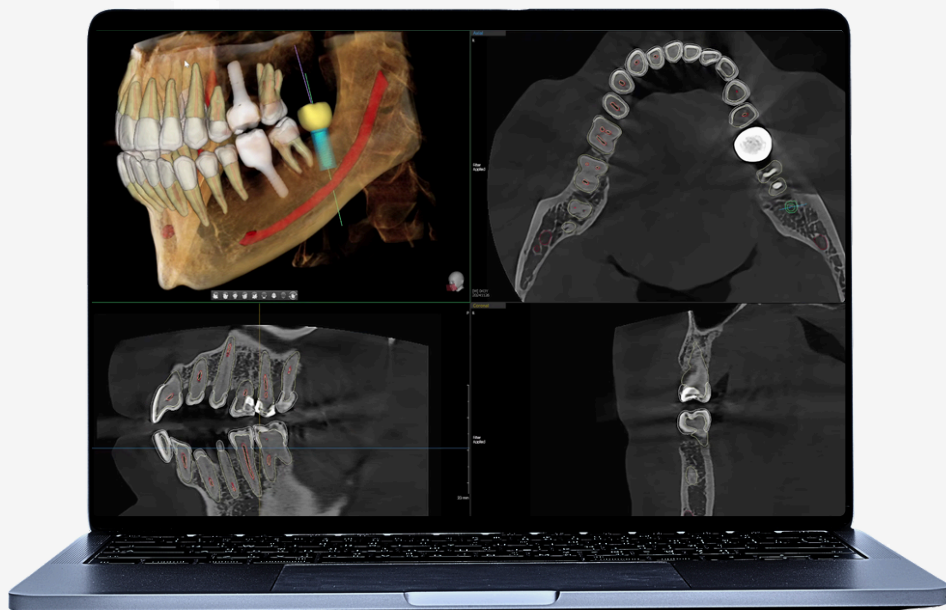
From **automatic anatomical segmentation** and AI-assisted root canal tracing to advanced implant planning and crown mirroring, you get faster access to the information that matters most. The result is a more efficient workflow, greater diagnostic confidence, and a better experience for both you and your patients.



A New Dimension in Dental Imaging



In today's rapidly evolving dental field, **AI is reshaping how professionals diagnose and plan treatments** and Vatech's Ez3D-i software puts that power to work, enhancing speed, precision, and clinical confidence. Featuring AI-driven tools like automatic anatomical **segmentation of up to 135 structures**, intuitive two-click root canal tracing with precise length and diameter measurements for Endo procedures, and smart implant planning with crown mirroring, Ez3D-i helps doctors work more efficiently and deliver better patient outcomes.



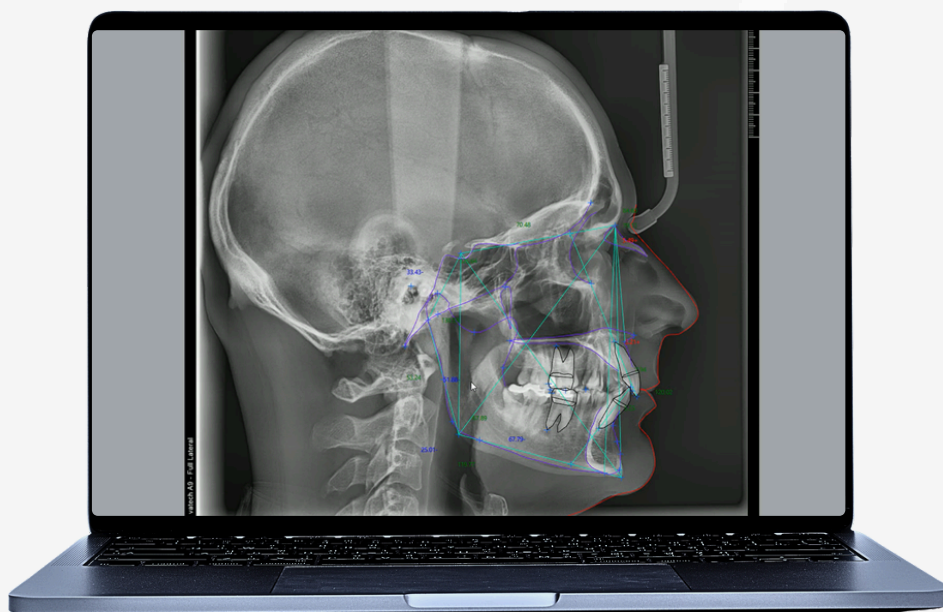
EzOrtho™

Automatic Ceph Tracings

EzOrtho provides an automatic tracing feature (Tracing with DAVIS) which performs the most tedious task in the diagnosis process with a click of a button.

This AI-aided feature finds 36 landmarks and 7 outlines that is required for **15 unique analysis** methods provided in EzOrtho.

One Click Tracing

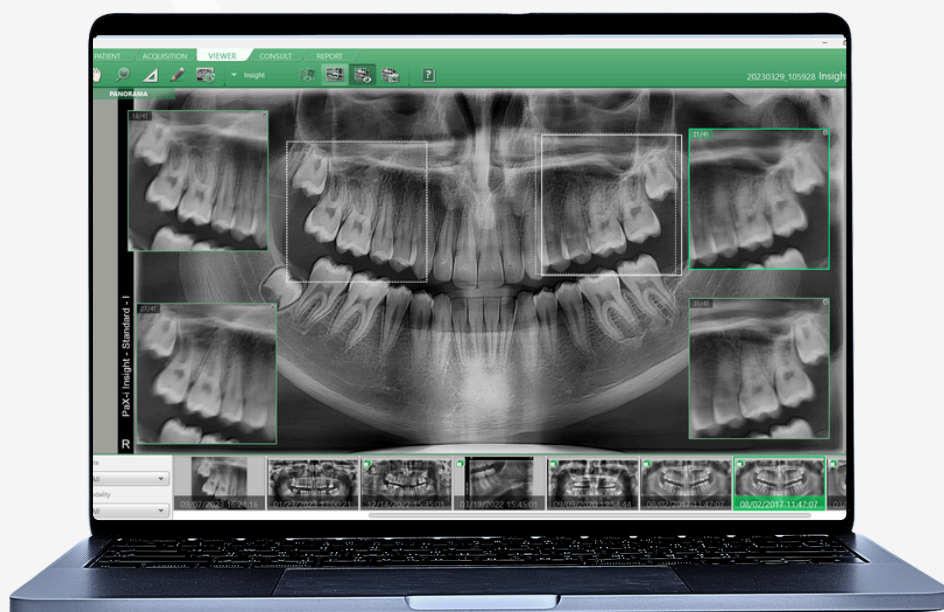


Green X 21: The Ultimate Freedom in 3D Imaging

41-layer digital panoramic images



While the conventional panoramic systems may miss important details which land outside of a single focal trough, the PaX-i Insight is capable of taking multi-layered images and providing in-depth look. Having the option to choose from a variety of images, the **Insight Pan offers** clinicians to explore **41 images (each sliced in 0,2 mm) when exploring their region of interest.** This feature not only provides an accurate diagnosis for periapical diseases, periodontitis and pericoronitis but also allows clinicians to find hidden roots and canals.



Green X 21

in numbers

Function (Device Type)	Advanced 6-in-1: Dental CT + ENT CT Model Scan + Pano + CEPH + 3D Photo
Voxel size	0.049 mm - 0.3 mm
Focal Spot Size	0.5 mm
FOV Size without Stitching	21x19, 18x15, 12x9, 12x5, 8x8, 8x5, 5x5, 4x4
FOV Double Scan	n/a
Auto Pano	Yes incl. Auto Ceph
Exposure Time	Pano: 7.5 - 14.1 sec Ceph: 0.9 sec CBCT: 7.1 - 18 sec





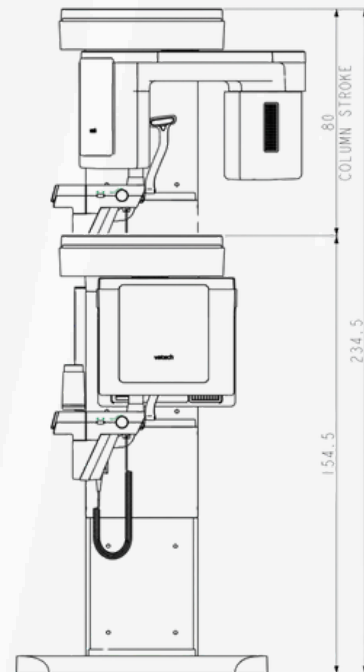
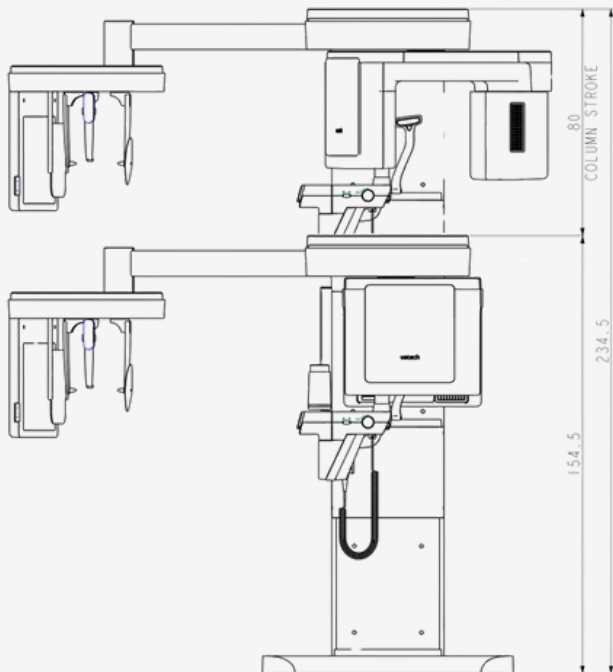
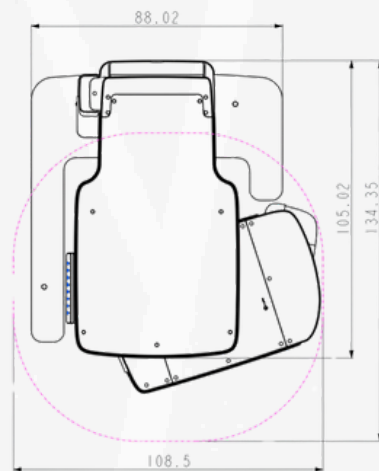
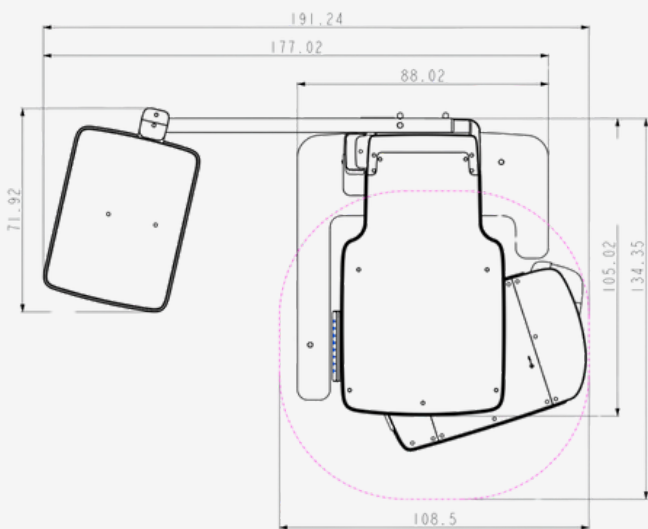
Dynamic Range	16 bit
Panoramic Type	Pano + Magic pan + Insight Pan with free FOV (Hybrid Sensor for 3D & 2D)
Patient Position	Standing, seated, wheelchair, face to face positioning
Dimensions	108.5 cm × 1457.8 cm × 234.5 cm
Weight	220,7 kg / 245,3 kg (with the Ceph)
Software	EzDent-i Ez3Di-i EzOrtho EzDent Web

Dimensions

Green X 21

with Ceph

without Ceph



More Information



vatech[®]

 vatecheurope.com

 facebook.com/vatech.eu

 instagram.com/vatech.eu

 youtube.com/@vatecheurope